

5 Twosome Drive,
Moorestown, NJ 08057

(856) 727-0227
www.ShieldsBusinessSolutions.com

LTA 450

Teller Cash Recyclers



450

 **SHIELDS**
BUSINESS SOLUTIONS
Protecting Your Cash and Your Future

Overview

The ATEC LTA line is the most technologically advanced offering of Teller Cash Recyclers (TCRs) in the market today. The LTA 450 is the big brother to the 380 and designed to fit in a standard teller station but is still amazingly compact with the highest cash capacity available. With more than 2000 units deployed across the US, customers appreciate the unique features that help streamline business operations. The concept began with a study of teller TCR processes to see what could be improved over previous generations of all manufacturers' units. Focusing on "living with a TCR", the Atec engineers worked to solve issues of cash management, cash exposure, vault buys and capacity. The research and development paid off with a product line which makes branch operations simpler with TCRs that do more, do it better, and take less overall management.



Unique by Design

Capacity has always been a concern for the first and second generation TCRs. Low capacity adds to cash management and teller time, defeating some of the benefit. The LTA line has by far the largest capacity in both sit-down and teller height configurations utilizing a flexible cassette-based recycler. The LTA line can hold a huge amount of cash and is suitable for commercial teller stations.

Operations / Transit Cassette. The operations cassette has revolutionized the management of the cash in the TCR. This versatile cassette allows the LTA to perform **full, unattended self-audits**. This amazing feature will save countless cash management hours over the life of the unit. The operations/transit cassette allows tellers to move excess cash within the TCR and to securely transport cash within the branch. In operations mode, the cassette acts as an overflow, a large deposit storage or the audit-cash bin. In a transit capacity, this cassette can be loaded or unloaded securely in a back office, then transported to the LTA to load or unload the unit without exposing cash to the public.



Cassette configuration is coded. This allows teller supervisors to change denominations to suit the circumstances. For instance, banks located in tourism areas near the seashore, will typically have higher demands for smaller bills used for cashier tills as well as higher commercial cash deposits. A teller supervisor could re-code

the cassettes to the appropriate denominations for the 3 months of summer, then change back in the fall. No billable technician visit is required.

Split Cassettes for maximum flexibility. The LTA line can be configured with any combination of full or split cassettes for a mixture of 6-12 denominations. The cassettes are electronically coded and can also handle foreign currency.

Dedicated Counterfeit Suspect Output Pocket. Unique to the LTA, this dedicated Counterfeit-Suspect pocket separates the suspicious bills, so they are treated differently from other rejected bills. This ensures that counterfeit bill protocol is followed so counterfeit bills are never taken into your GL or redispersed to the public.

Life is Better with an LTA. The unique features that make up the LTA are what makes life better when owning, operating and managing TCRs. This carefully engineered product line was designed to fix the problems inherent in older generation machines. You will quickly realize the benefits the first time you perform an unattended self-audit and settle without touching a dollar.

Operational Features – LTA 450

- Up to 12 denominations recycling (including foreign currency)
- Up to **22,800** notes of storage capacity
- Operation / Transit cassette for secure note loading and unloading and unattended self-audits
- Configurable cassette options for various capacity/denomination needs
- High resolution bill validator

Unique Features

- Up to 600 notes reject or escrow capacity
- Use as desktop currency counter, then automatically deposit the counted notes from output pocket
- Simple note path in the top tray for easy maintenance
- Small footprint
- 8" foldable touch screen
- Built-in jam-clearing and operational instruction videos

Security

- Counterfeit note detection separates suspects to a dedicated pocket
- Automatic retract of untaken notes prevents exposed cash
- Serial number recording and note image capture
- Internationally certified safe



LTA-450 Technical Information

Specifications*			
Main Control Unit	Intel, Memory 4G, SSD 128G, Windows 10		
User Interface	8" wide LCD with touch screen		
Cash Recycling Module (CRM)	Denominations	Max. 12 Denomination (by Split CST 6EA)	
	Transaction speed (Deposit/ Dispense)	10 ~ 12 notes/sec	
	Cassette capacity**	Recycling CST	Large CST(3,800 notes) up to 6EA, mixed with Split CST
		Operation CST	Split CST(1,500 + 1,500 notes) up to 6EA, mixed with Large CST
		Max. Total	3,800 notes
	Deposit hopper max. capacity	500 notes, Continuous feed	
	Withdrawal hopper max. capacity	300 notes/transaction	
	Retract/ Reject hopper max. capacity	100 notes	
	Reject notes/Physical Escrow	Max capacity 600 notes	
	Dimensions	Size (W x H x D)	UL291: 15"x 31.25"x 44"
Weight		UL291: 1058 lbs.	
Safe certification	UL291, CEN-III, CEN-IV		
Safety {lock}	Dial Lock (option: electronic or key lock)		
Security alarm (optional)	Shock/ Vibration Sensor, Heat Detection Sensor		
Power consumption	Standby	70W	
	Operation	560W	
Noise Level	Standby	46dBA	
	Operation	70dBA	
Power Supply	AC 100-240V		
Environmental conditions	Operation	+5°C to +40°C	
		25% to 85% relative humidity	

*Specifications are subject to change without prior notice for product improvement.

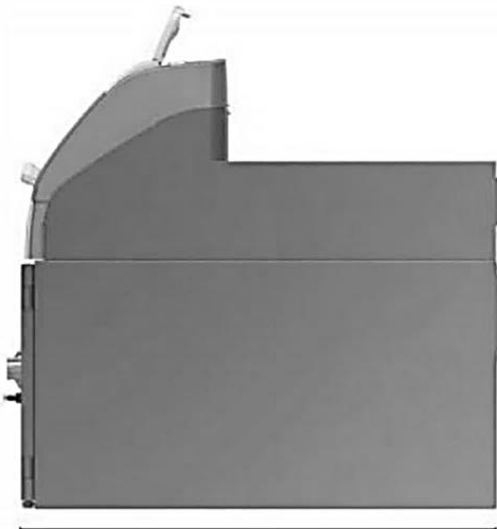
**Cassette capacity: Based on 0.01cm thickness note

Dimensions

LTA 450



15 inches



44 inches

31.25 inches



Product Images

