

INTRODUCING THE NEW  
**AST9000**

CASSETTE  
BASED  
TELLER  
CASH  
RECYCLER



The **AST9000** is an all-new cassette-based, cash-in cash-out, teller cash recycler (TCR) from CIMA. Designed with high performance in mind for bank branches where cash processing volumes are high and flexibility is essential. The AST9000 ensures security, reliability and significantly faster cash processing times to deliver major operational efficiencies and productivity benefits.



**CIMA**

WHEREVER YOU COUNT

# AST9000

CASSETTE BASED TELLER CASH RECYCLER

AST9000 accepts, authenticates, stores and dispenses banknotes through a conveniently located high capacity input/output/reject slot. Recycling and storage are accomplished via a series of highly configurable cassettes.

AST9000 is equipped with five (5) scalable cash boxes/cassettes with a range of flexible options and features:

- Single denomination recycling cassette
- Dual denomination recycling cassette
- Deposit only cassette
- Self auditing cassette

Banknote detection is handled by a validator which is equipped with the most advanced recognition and authentication technologies. The validator can be configured to perform authenticity detection only or combined to incorporate banknote fitness sorting as well. Both scenarios comply with the regulations of all the major global central banks.

AST9000's compact size and footprint with an aesthetically pleasing look and ideal ergonomics make it an excellent solution for bank branches with open-plan layouts or behind the teller line.

## BENEFITS:

- Considerable reduction in transaction times for both deposit and dispense processes
- Internal self audit allows complete auditing and security without exposing notes
- Highly customizable configurations for greater flexibility
- Ideal for open plan layouts due to excellent aesthetics and ergonomics
- Real time cash visibility with appropriate software integration
- Overall on-site reductions in cash holdings can be achieved due to recycling
- High performance validator reduces identification errors
- Facilitates better and faster customer service
- Optional fitness sorting features enables good quality notes to be dispensed for ATM fulfillment
- Increased security due to high grade safe and digital secure access

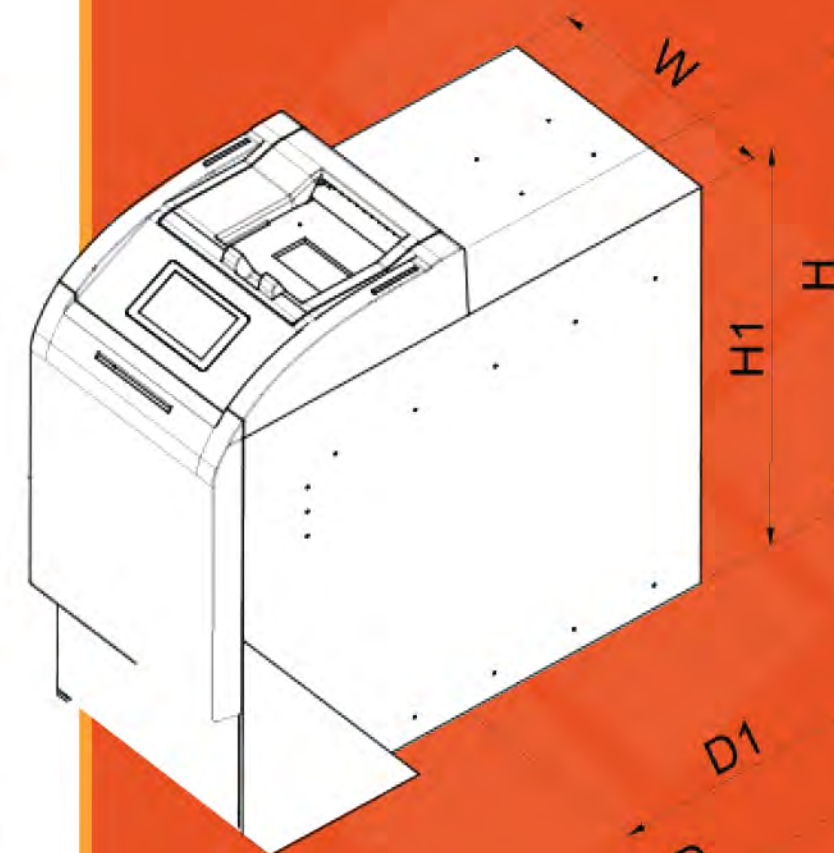


## ACCESSORIES:

- 15" integrated touch screen and 3" thermal receipt printer on bracket (rear metal case required)
- Front lock covering hood with envelop drop box for manual banknote deposits
- Software and hardware to manage alarms and security locks
- Non-certified plinth:
  - 17.9"(w)x 6.3"(h)x40.2"(d)
  - 455mm (w) x 158mm (h) x 960mm (d)

## DIMENSIONS:

- With UL 291-24H safe (inches):  
17.9in (w) x 33.7in (h) x 40.2in(d)/19.2in (d1) x 28.8in (h1)
- With UL 291-24H safe (millimeter):  
455mm (w) x 857mm (h) x 1020mm (d)/487mm (d1) x 722mm (h1)



## FEATURES AND SPECIFICATIONS

Speed:	10 banknotes per second (deposit and dispense)
Input slot capacity:	300 banknotes with continuous feeding
Output slot capacity:	100 banknotes
7" touch screen for operator assistance	
Optional multicurrency operation (up to 127 denominations)	
Compatible with CAOS and C-Link software platforms	

## ELECTRICAL

Voltage:	100V – 240V AC
Frequency:	50Hz – 60Hz

## CONNECTIONS

1 x Fast Ethernet port (100Mbps)
2 x USB 2.0 ports

## SIZE OF BANKNOTES HANDLED

Length from 4.7" to 6.9" (120mm to 177mm)
Height from 2.35" to 3.35" (60mm to 85mm)



For more information on the AST 9000, contact:



**SHIELDS**  
BUSINESS SOLUTIONS

[www.shieldsbusinesssolutions.com](http://www.shieldsbusinesssolutions.com)

5 Twosome Drive  
Moorestown, NJ 08057  
P: 856-727-0227  
[info@shieldsbusinesssolutions.com](mailto:info@shieldsbusinesssolutions.com)



**CIMA**  
WHEREVER YOU COUNT

**CIMA Cash Handling, America Inc.**  
15720 Park Row Drive, Suite 400 Houston TX 77084  
+1 (832) 974-4820  
[www.cima-america.com](http://www.cima-america.com)

HQ: CIMA S.p.A. Via di Mezzo 2-4 – 41037 Mirandola MODENA – Italy